

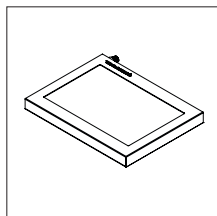
# MANUAL | BACKLIGHT

VERSION: 2.0 | 2019-06-15

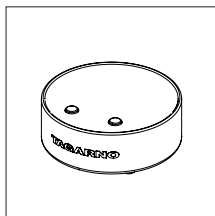
## CONTENTS

1.	YOU HAVE RECEIVED	1
2.	CONNECTING	1
3.	OPERATION	2

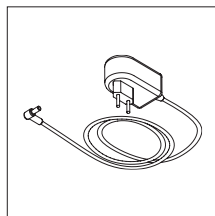
## 1. YOU HAVE RECEIVED



Backlight

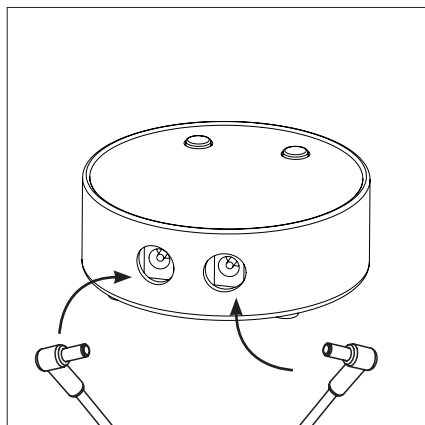


Basic control box

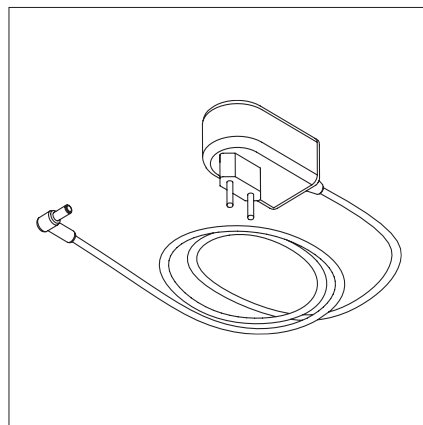


Power supply

## 2. CONNECTING



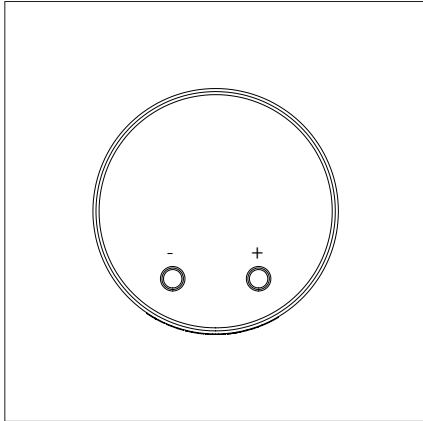
Connect the backlight and power supply to the control box. Please connect correctly before use



Connect the power supply to a power plug

### 3. OPERATION

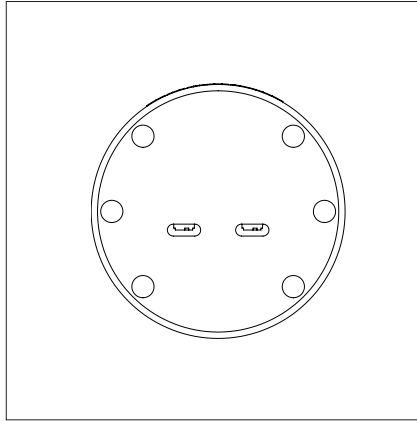
Always make sure that the power cord is connected correctly and the brightness is set to the desired value.



Turn the control box and LED light on by pressing the "+" or "-" button.  
Control the light intensity by pressing the "+" or "-" button.

Turn the control box off by pressing the "+" and "-" buttons down simultaneously for one second before letting go.

When turning the control box back on, it will automatically use the last used setting.



Left Switch: ECO on/off  
Right Switch: Sound on/off

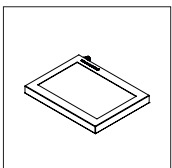
The switches can be turned on/off using a sharp object, eg. pen or screwdriver.

Note! Before changing the ECO and Sound switches, do not forget to unplug the control box.

#### Power saving/ECO mode

After 20 minutes of not using the intensity buttons, the intensity is automatically reduced to 10% of the maximum.

A short press on the "+" or "-" button will reset the control box to the original intensity.



### TECHNICAL SPECIFICATIONS

Illuminated area dimensions are 180x120 mm.  
The total product dimensions are 215x170 mm.  
Light intensity: 16000 Lux



### EQUIPMENT DISPOSAL

This equipment is marked with the crossed out wheeled bin symbol to indicate that this equipment must not be disposed of with unsorted waste.